

KEY FEATURES

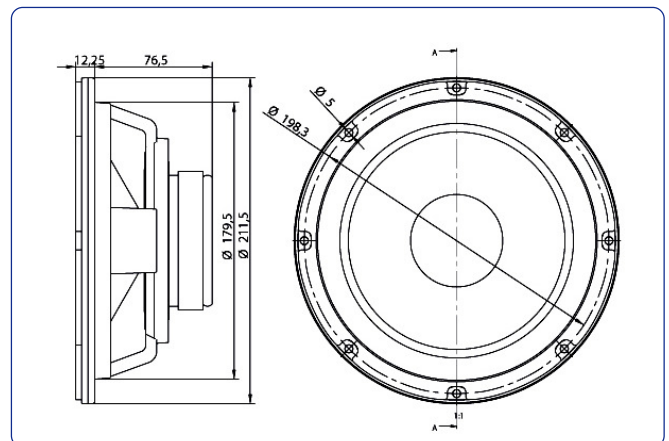
- 50 w RMS power handling.
- Sensitivity: 90 dB @ 1w @ 1m.
- 1" voice coil.
- Extended controlled displacement: $X_{max} \pm 6$ mm
- Low frequency driver



TECHNICAL SPECIFICATIONS

Nominal diameter	200mm. 8 in.
Rated impedance	8 ohms
Minimum impedance	8.3 ohms
Power capacity*	50 w RMS
Program power	100 w
Sensitivity	90 dB 2.83v @ 1m @ 2 π
Frequency range	30 - 6500 Hz
Maximum Recom. Frequency	200 Hz
Recom. enclosure vol.	20 / 50 l 0.7 / 1.77 ft. ³
Voice coil diameter	25.8 mm. 1 in.
Magnetic assembly weight	1 kg. 2.2 lb.
BL factor	7.0 N / A
Moving mass	0.02 kg.
Voice coil length	15 mm
Air gap height	6 mm
X damage (peak to peak)	20 mm

DIMENSION DRAWINGS



THIELE-SMALL PARAMETERS**

Resonant frequency, fs	35 Hz
D.C. Voice coil resistance, Re	5.8 ohms
Mechanical Quality Factor, Qms	2.72
Electrical Quality Factor, Qes	0.62
Total Quality Factor, Qts	0.50
Equivalent Air Volume to Cms, Vas	59 l
Mechanical Compliance, Cms	858.3 μ m / N
Mechanical Resistance, Rms	1.95 kg / s
Efficiency, η_0 (%)	0.39
Effective Surface Area, Sd (m ²)	0.022 m ²
Maximum Displacement, Xmax***	4.5 mm
Displacement Volume, Vd	100 cm ³
Voice Coil Inductance, Le @ 1 kHz	0.9 mH

MOUNTING INFORMATION

Overall diameter	211.5 mm. 8 in.
Bolt circle diameter	198.3 mm. 7.8 in.
Baffle cutout diameter:	
- Front mount	179.5 mm. 7.06 in.
- Rear mount	182.5 mm. 7.44 in.
Depth	88.75 mm. 3.49 in.
Volume displaced by driver	1.5 l. 0.056 ft. ³
Net weight	1.3 kg. 2.93 lb.
Shipping weight	1.5 kg. 3.37 lb.

Notes:

*The power capacity is determined according to AES2-1984 (r2003) standard. Program power is defined as the transducer's ability to handle normal music program material.

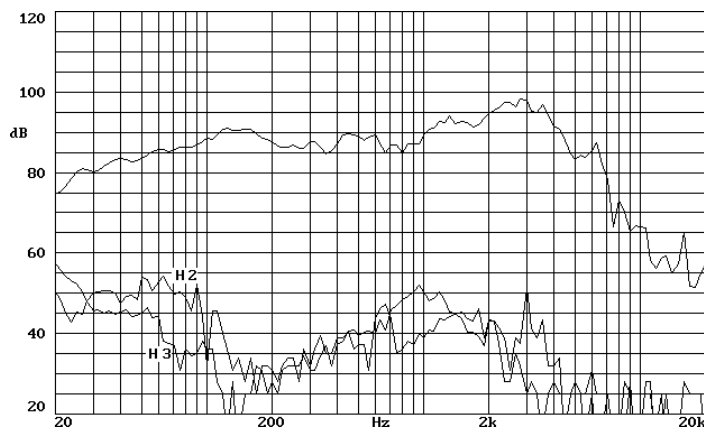
**T-S parameters are measured after an exercise period using a preconditioning power test. The measurements are carried out with a velocity-current laser transducer and will reflect the long term parameters (once the loudspeaker has been working for a short period of time).

***The Xmax is calculated as $(L_{vc} - Hag)/2 + Hag/3.5$, where Lvc is the voice coil length and Hag is the air gap height.

FREE AIR IMPEDANCE CURVE



FREQUENCY RESPONSE AND DISTORTION



Note: on axis frequency response measured with loudspeaker standing on infinite baffle in anechoic chamber, 1w @ 1m.